

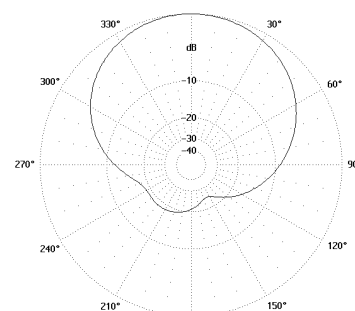
BASE DIRECTIONAL ANTENNA WITH FIBERGLASS RADOME

BD 310

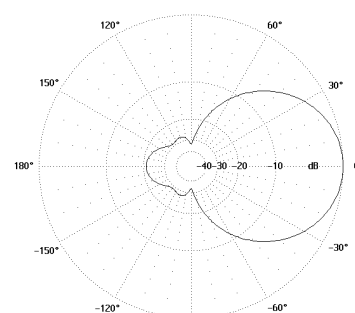


TECHNICAL SPECIFICATION

| Type | BD 310 | |
|------------------------------|---|--------------------------------------|
| Frequency range | MHz | 380 ÷ 400 |
| Technical solution | | YAGI |
| Gain | dBi | 8.5 |
| Radiation pattern | | directional |
| Beamwidth - H plane | ° | 100 |
| Beamwidth - E plane | ° | 58 |
| Front-to-back ratio | dB | 20 - 26 |
| Polarization | | vertical |
| Impedance | Ω | 50 |
| VSWR | | < 1.5 |
| Max. input power | W | 150 |
| Grounding | all metal parts of antenna including the mounting kit are DC grounded | |
| Material of antenna | aluminium alloy, hot dip zinc steel, fiberglass | |
| Antenna holder (two pieces) | mm | RCAF 300 126 – \varnothing 44 ÷ 76 |
| Material of holder | aluminium alloy, hot dip zinc steel, all screws and nuts: stainless steel | |
| Weight of antenna / holders | kg | 4.6 / 1.6 + 1.6 |
| Max. wind velocity | km / hour | 160 |
| Wind load (at 160 km / hour) | N | 360 |
| Dimensions of antenna w x h | mm | 610 x 500 |
| Connector | type „N“ or „7 / 16“ - female | |



Radiation pattern – H plane



Radiation pattern – E plane